

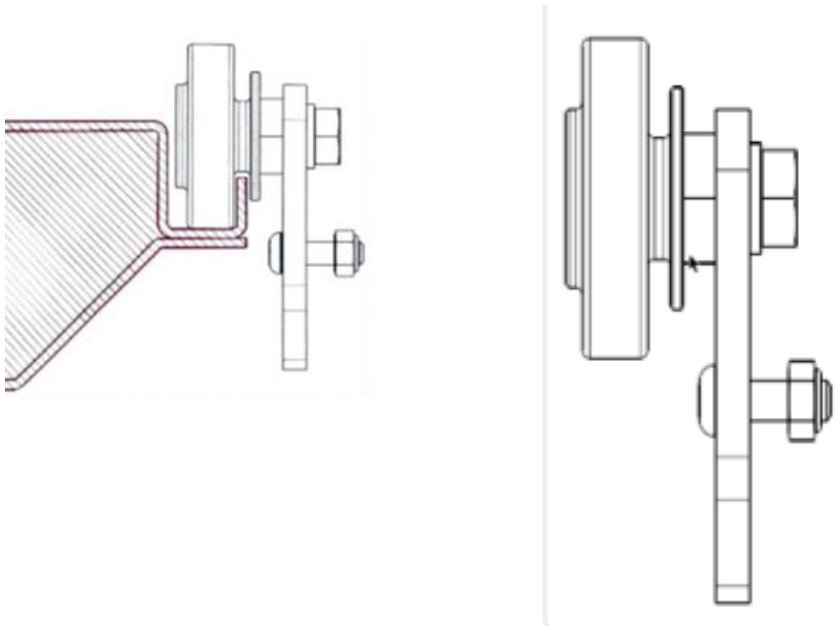


ALPHA
GARAGE EQUIPMENT

Jacking Beams Support Arms

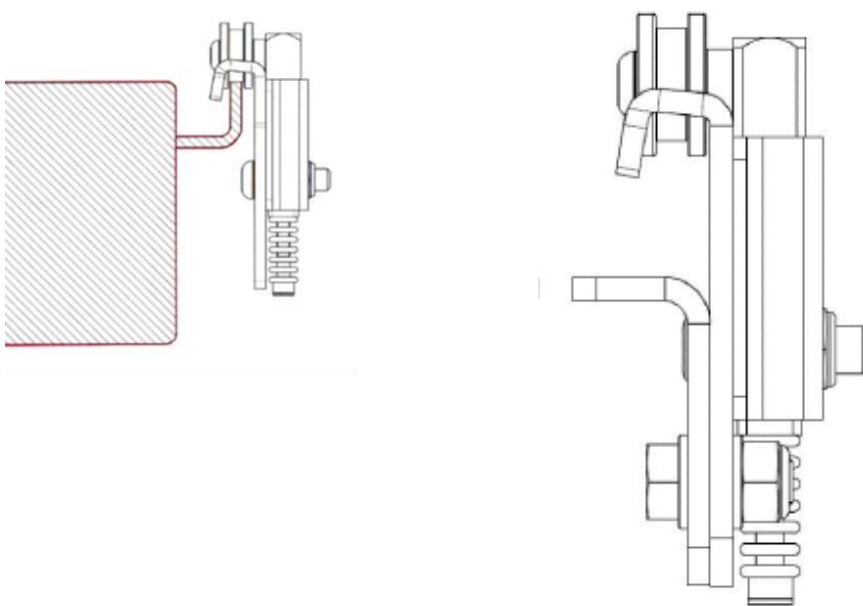
For all Alpha T-2020/ and T-2026/ jacking beams

62 276 00



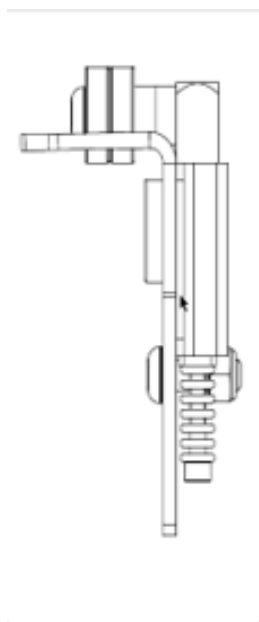
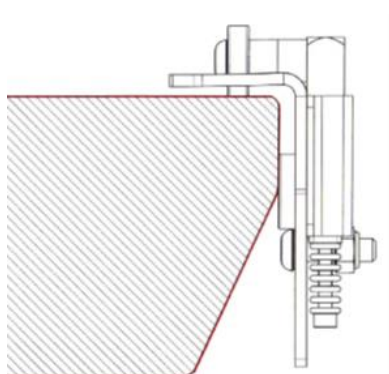
For Werther ATL lifts
(4-post and scissor) –
channel running

62 356 20



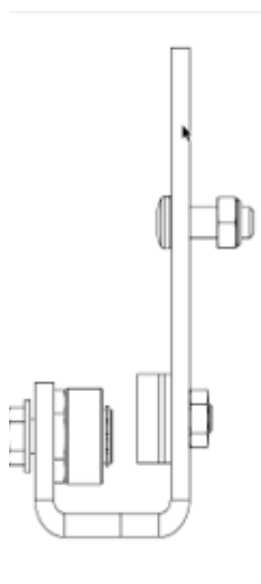
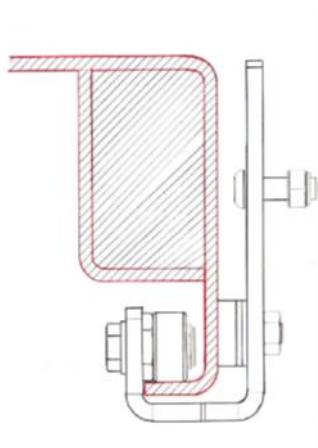
For Werther ATL lifts
(4-post and scissor) –
channel lip running

62 265 30



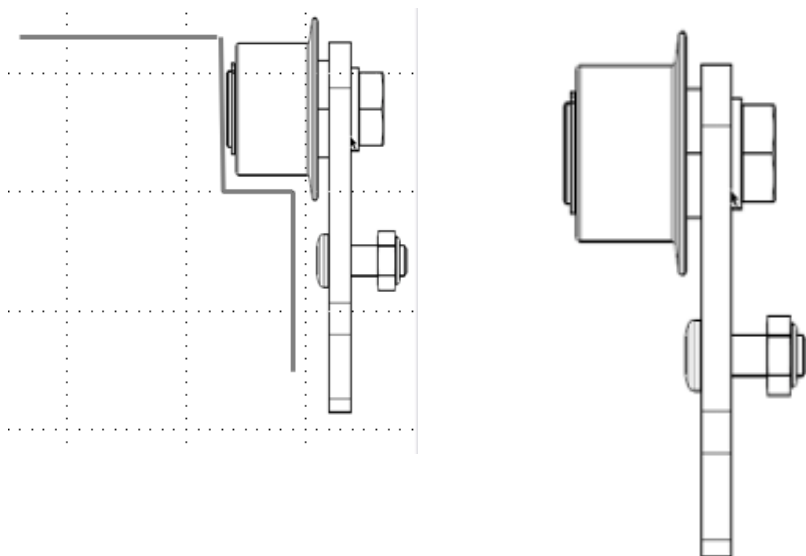
For flat platforms lifts

62 268 00



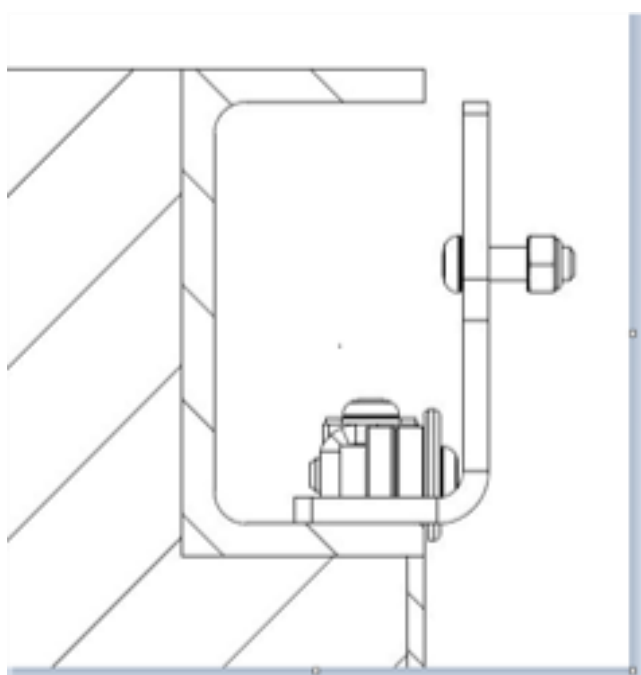
For Nussbaum/Crypton
scissor lifts

62 275 00



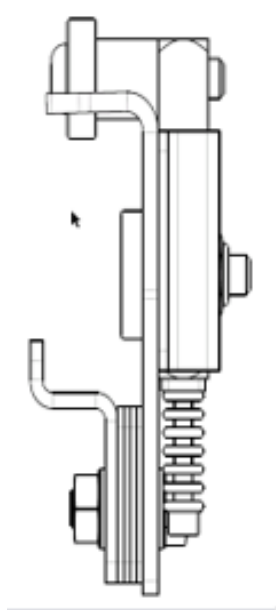
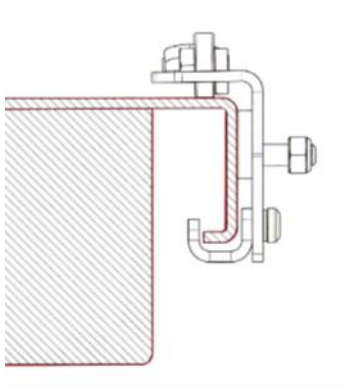
For pits (L shaped angle irons)

62 486 00



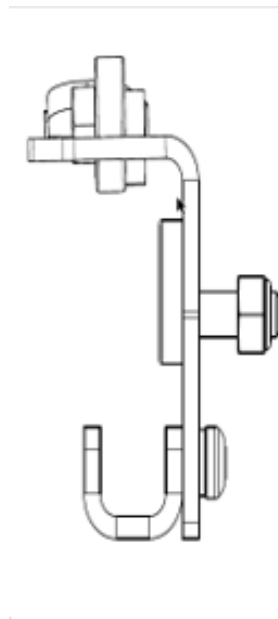
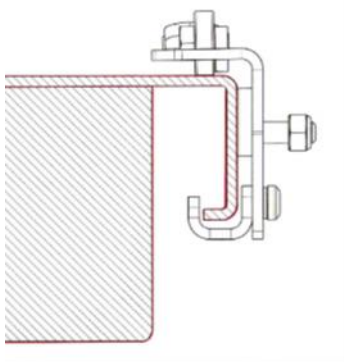
For pits (C shaped channels)

62 465 40



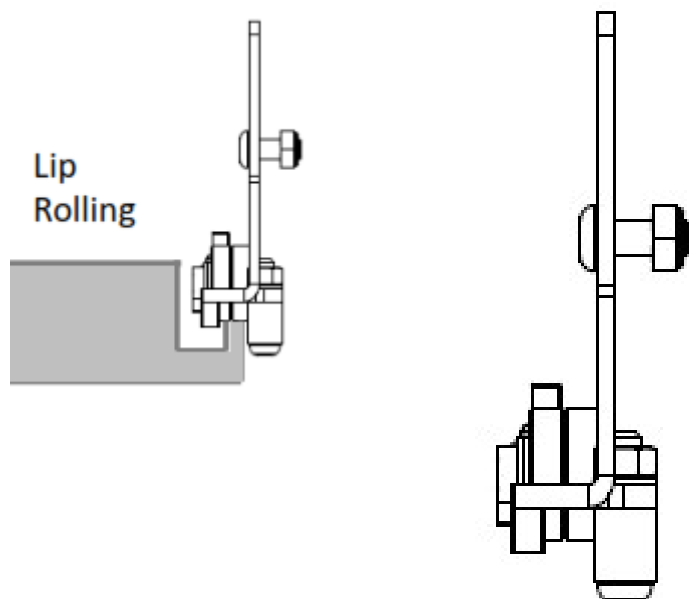
For Ravaglioli 4-post lifts

62 470 00



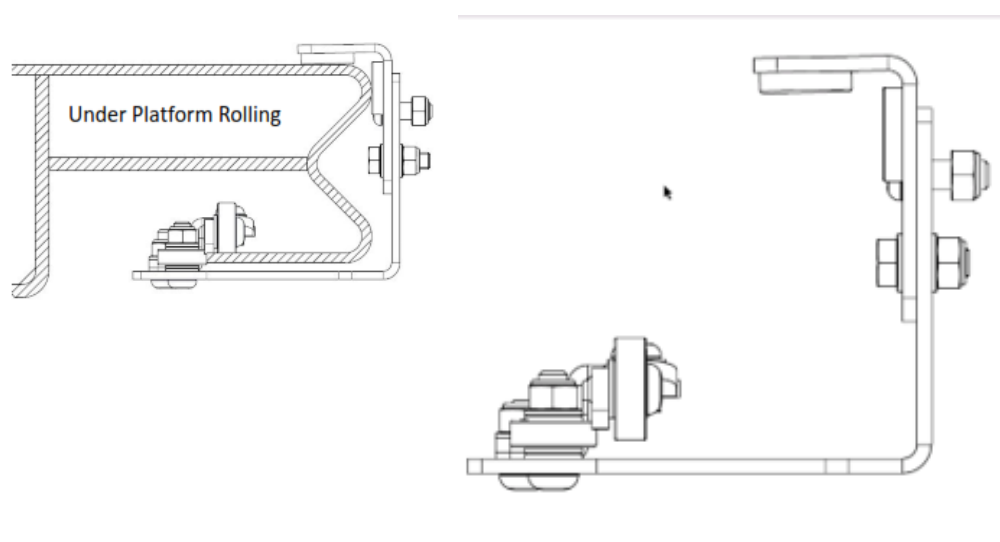
For Ravaglioli scissor lifts

62 402 00



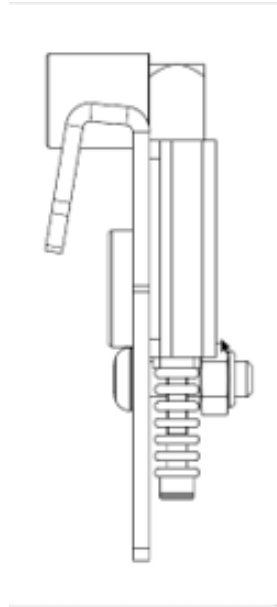
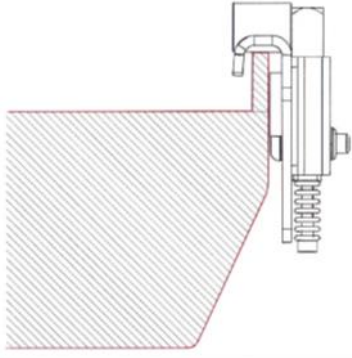
For Rotary 4-post lifts

62 478 00



For Stenhoj
/Major/Bradbury lifts

62 262 00



For upturned edges
rolling